



T&S BRASS AND BRONZE WORKS, INC.

2 Saddleback Cove / P.O. Box 1088
Travelers Rest, SC 29690

Model No.

B-1433-7212-01

Item No.

Travelers Rest, SC: 800-476-4103 • Simi Valley, CA: 800-423-0150 • Fax: 864-834-3518 • www.tsbrass.com

This Space for Architect/Engineer Approval

Job Name _____ Date _____

Model Specified _____ Quantity _____

Customer/Wholesaler _____

Contractor _____

Architect/Engineer _____

B-0963
Continuous Pressure
Vacuum Breaker w/
Integral Check Valve

3/8" NPT x 36"
Flexible Water
Connector

Stainless Steel
Quick Disconnect

3/8" NPT x 40" Riser

Control Valve

(2) B-0109-07
Wall Brackets

EasyInstall
3/8" NPT x
16" Riser

8" Wall Mount
Mixing Faucet,
Quarter-Turn
Eterna Cartridges
w/ Spring Checks
& Lever Handles
w/ Color Coded
Indexes

12 5/8"
[321mm]

3 11/16"
[94mm]

Adjustable From
7 3/4" to 8 1/4"
[197mm to 210mm]

Ø 2" [51mm]
Flanges w/
1/2" NPT
Female Inlets

Open Coated Hose Reel
w/ 15' of 3/8" Hose

EB-0107
High Flow
Spray Valve
(Blue)

63 1/2"
[1612mm]

5 1/2"
[139mm]

2 3/8"
[60mm]

Ø 1/2"
[13mm]
Typ.

6 7/16"
[164mm]

5 1/4"
[133mm]

17 7/8"
[454mm]

3/4"
[19mm]

1/2"
[13mm]
Typ

2 3/8"
[61mm]

Product Specifications:

Open Coated Hose Reel w/ 15' of 3/8" Hose, High Flow Spray Valve (Blue), Vacuum Breaker, 3/8" NPT Flexible Water Connector, 8" Wall Mount Mixing Faucet w/ Quarter-Turn Eterna Cartridges w/ Spring Checks & Control Valve

Product Compliance:

NSF 61 Exempt (Non-Potable)
EPA Act 2005 Non-Compliant (PRSV)
ASSE 1056 (VB)



T&S BRASS AND BRONZE WORKS, INC.

2 Saddleback Cove / P.O. Box 1088
Travelers Rest, SC 29690

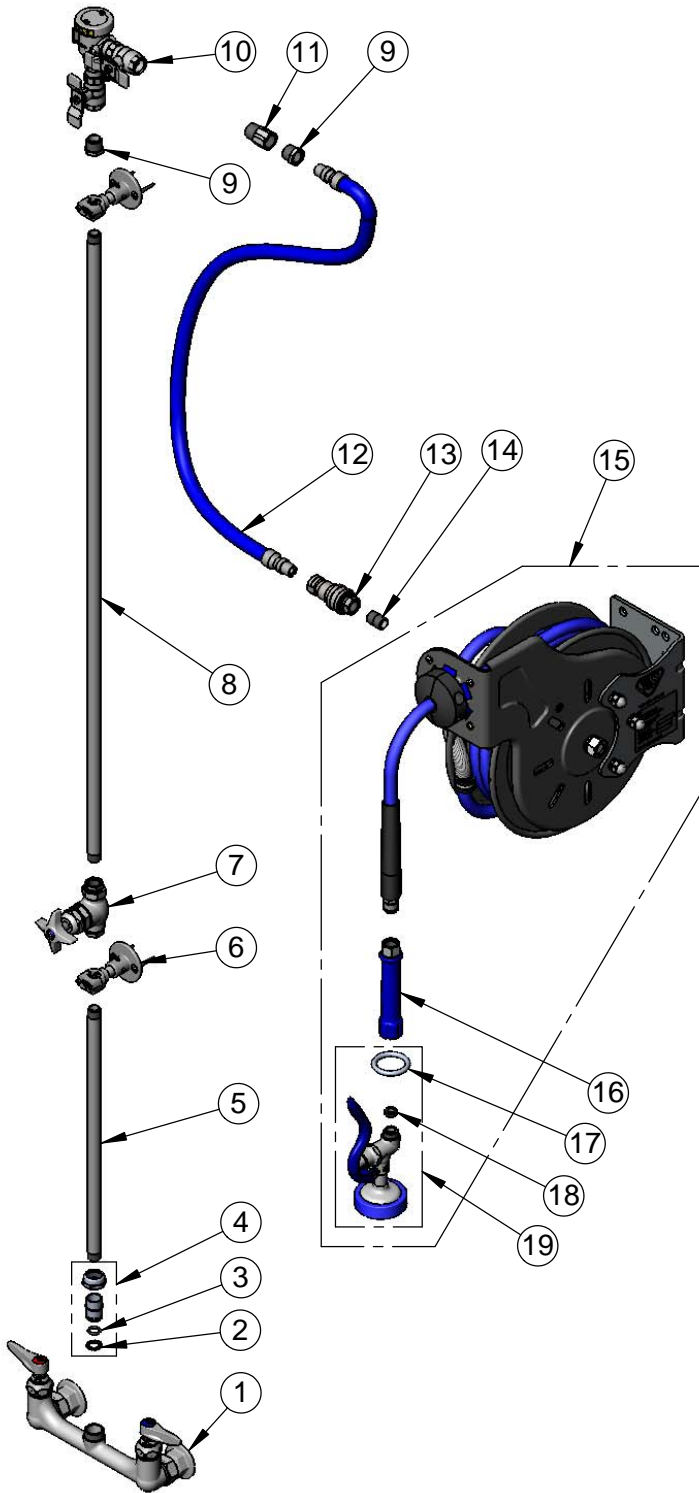
Model No.

B-1433-7212-01

Item No.

Travelers Rest, SC: 800-476-4103 • Simi Valley, CA: 800-423-0150 • Fax: 864-834-3518 • www.tsbrass.com

ITEM NO.	SALES NO.	DESCRIPTION
1	002832-40	8" Wall Mount Mixing Faucet
2	014200-45	Star Washer, Anti-Rotation
3	001065-45	O-Ring
4	EZ-K	EasyInstall Kit
5	000368-40	Nipple, 3/8" x 16"
6	B-0109-07	Wall Bracket
7	0RK3	Control Valve
8	002558-40	3/8" NPT x 40" Riser
9	001359-40	Hex Bushing, 1/2" NPT Male x 3/8" NPT Female
10	B-0963	1/2" NPT Continuous Pressure Vacuum Breaker w/ Integral Check Valve
11	015073-40	Check Valve w/ 1/2" NPT Adapter
12	HW-2B-36	3/8" NPT x 36" Flexible Water Hose
13	AW-5B	3/8" NPT Quick Disconnect
14	002535-25	3/8" Close Nipple
15	B-7212-01	Open Coated Hose Reel w/ 3/8" x 15' Hose
16	012504-40	Grip Handle (Blue), 3/8" NPT
17	000907-45	Spray Valve Hold Down Ring
18	010476-45	#27 Washer
19	EB-0107	High Flow Spray Valve (Blue)



Product Specifications:

Open Coated Hose Reel w/ 15' of 3/8" Hose, High Flow Spray Valve (Blue), Vacuum Breaker, 3/8" NPT Flexible Water Connector, 8" Wall Mount Mixing Faucet w/ Quarter-Turn Eterna Cartridges w/ Spring Checks & Control Valve

Product Compliance:

NSF 61 Exempt (Non-Potable)
EPA Act 2005 Non-Compliant (PRSV)
ASSE 1056 (VB)



Architect/Engineering Specifications:

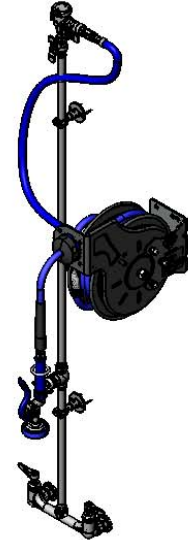
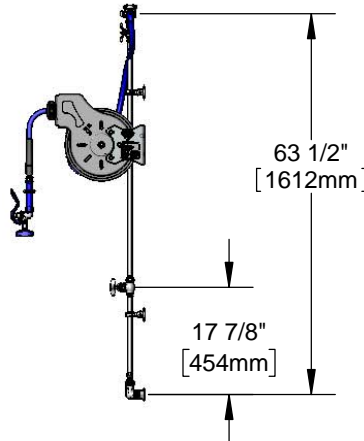
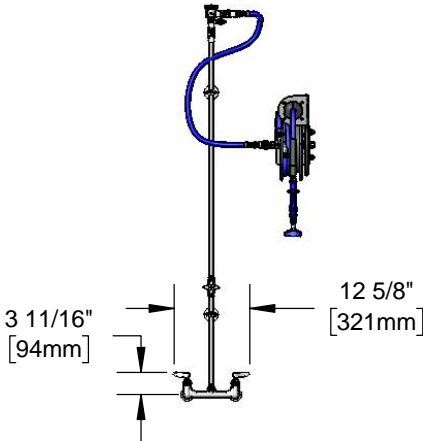
8" wall mount mixing faucet with polished chrome plated brass body, compression cartridges with spring checks, lever handles, 1/2" NPT female inlets, 16" riser, control valve, 40" riser, wall brackets, continuous pressure vacuum breaker, 36" flexible water hose connector with stainless steel quick disconnect, open coated hose reel with 3/8" x 15' heavy-duty non-marking hose, ratcheting system, high flow spray valve, multi-fit bracket and adjustable hose bumper. Certified to ASSE 1056.

Job Name _____

Model Specified _____ Quantity _____

Variations Specified _____

Date _____



Features & Benefits:

- Complete system with exposed piping and accessories
- 8" wall mount mixing faucet w/ polished chrome plated brass body
- Quarter-turn Eterna compression cartridges with spring checks to prevent cross flow of water
- Lever handles w/ color coded indexes
- 1/2" NPT female eccentric inlets with Ø 2" flanges
- Adjustable centers from 7 3/4" to 8 1/4"
- EasyInstall 16" and rigid 40" risers w/ control valve between risers
- (2) 2 3/8" wall brackets
- Continuous pressure vacuum breaker
- 36" flexible water hose connector with stainless steel quick disconnect
- Open epoxy coated hose reel
- High flow spray valve w/ heat resistant blue handle and hold down ring
- 3/8" x 15' heavy-duty non-marking hose rated to 300 PSI
- Ratcheting system holds the length of hose until a slight tug to retract automatically
- Adjustable hose bumper
- Multi-fit bracket for wall, ceiling or under counter mounting
- Material: Polished chrome plated brass faucet body, risers, control valve & spray valve body, chrome plated brass vacuum breaker, chrome plated metal handles, and metal enclosed reel.

Product Compliance:

- NSF 61 Exempt (Non-Potable)
- EPA Act 2005 Non-Compliant (PRSV)
- ASSE 1056 (VB)

Warranty: One Year (Limited)

- Hose Reel: Two Year (Limited)
- Hose: One Year (Limited)

Performance Data:

- Pressure: 20 - 125 psi
- Temperature: 40 °F - 140 °F
- Flow Rate: 2.92 GPM @ 60 psi

Optional Hose Reel Spray Valves

- B-0107 Spray Valve
- B-0108 Ergonomic Medium Flow Spray Valve
- B-0108-H Ergonomic High Flow Spray Valve
- EB-0107 High Flow Spray Valve (Standard)
- EB-2322 Extended Spray Wand
- MV-2516-24 Stainless Steel Rear Trigger Water Gun
- MV-2522-24 Stainless Steel Front Trigger Water Gun
- MV-3516-24 Aluminum Rear Trigger Water Gun

Optional Cartridges With Checks

- Quarter-Turn Cerama w/ Check Valve
- Quarter-Turn Eterna w/ Spring Check (Standard)

